



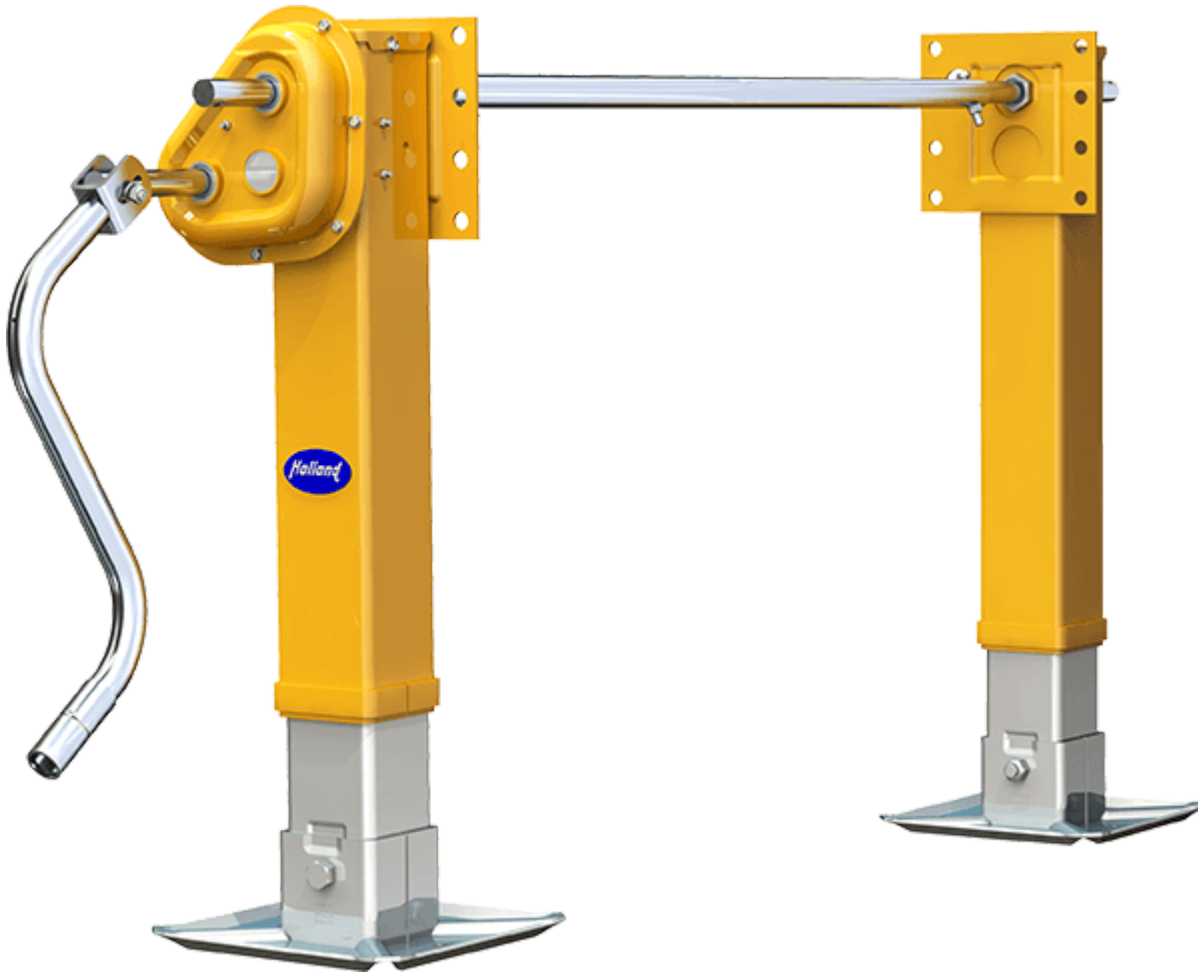
HOLLAND Landing Gear (<https://hollandlandinggear.com/>)

SAF-Holland Quick Reference Guide (<https://tpdutfvq9xy825ld68hr3o4.blob.core.windows.net/hybris/master/images/XL-MP20036SL-en-US.pdf>)

Holland Landing Gear: Good, Better, Best Guide  
(<https://tpdutfvq9xy825ld68hr3o4.blob.core.windows.net/hybris/master/images/XL-LG11382SL-en-US.pdf>)

HOLLAND is a long-time, trusted landing gear partner. With commitment to quality and performance paired with a Good, Better, Best lineup, HOLLAND Landing Gear always has a fit for the job. Along with application-specific reliability and performance, we back our products with best-in-class warranties to give you peace of mind (*ATLAS 55* and *MARK V* carry comprehensive 5-year performance guarantee, and *CLASSIC* carries a 5-year material and defects warranty).

*Did you know by stocking ATLAS 55 and MARK V you can provide 80% coverage for customer needs?* Learn more at the HOLLAND Landing Gear links below.



**Atlas 55 and Atlas 65 - Best Selling Legs in the Industry!**

- Left-Hand/Non-Gear Leg: HLD LG4001 71000000
- Right-Hand/Gear Leg: HLD LG4001 72000000

**ATLAS™ 55 LIFT CAPACITY 55,000 LBS.**



**GEARING**  
4.5 Turns Per Inch - High Gear  
38.7 Turns Per Inch - Low Gear

**WEIGHT** 150 lbs.  
*(17" Travel, RCF, MRL, Reverse Shafts)*

**CAPACITIES**  
55,000 lbs. Lift Capacity  
(100 ft./lbs. Input Torque)  
170,000 lbs. Load Capacity  
30,000 lbs. Side Load Capacity

NOTE: Weight measurements are less hardware.

All specified capacities are tested in accordance with AAR M-931.

**ATLAS™ 65 LIFT CAPACITY 65,000 LBS.**



**GEARING**  
4.5 Turns Per Inch - High Gear  
38.7 Turns Per Inch - Low Gear

**WEIGHT** 176 lbs.  
*(17" Travel, RCF, MRL, Reverse Shafts)*

**CAPACITIES**  
65,000 lbs. Lift Capacity  
(100 ft./lbs. Input Torque)  
170,000 lbs. Load Capacity  
34,000 lbs. Side Load Capacity

NOTE: Weight measurements are less hardware.

All specified capacities are tested in accordance with AAR M-931.

SAF-Holland Field Sales Contacts (<https://www.haldex.com/en/north-america/contactus/>)

Last updated: Wednesday, 18 March 2026 07:18 PM

[^Back to Top](#)

Copyright © Daimler Truck North America LLC. [Privacy Statement, Legal Notices and Terms](#)  
(<https://northamerica.daimlertruck.com/privacy-policy>). [Privacy Settings](#)  
All rights reserved. Daimler Truck North America LLC is a Daimler company.

