

# DURA-LITE™

## Charge Air Coolers • Radiators

### Plastic Tank Radiators

**We improved areas that are prone to failure in some OE and after market radiators**

Extra stainless steel outer crimp strips


Reinforced inner metal hose connections and mounting sleeves

Our tanks are built tougher and are able to flex under pressure

***This stops stress cracking and leaks which can happen with less flexible plastic tank & all-aluminum radiators***

**DURA-LITE™**  
Charge Air Coolers • Radiators



 Outlook



# Why choose a Dura-Lite replacement truck radiator?

At Dura-Lite, we asked the question: Why is something as essential as a radiator still so unreliable? We answered by making stronger fiber-reinforced tanks that prevent stress cracking that can happen with less flexible plastic-tank radiators.

Our commitment to quality and excellence means Dura-Lite heavy-duty truck radiators offer a higher level of durability as well as solutions to the most common problems drivers face. This keeps you out of the shop and back on the road.

**Stronger fiber-reinforced tanks.**

**Heavier gauge headers for unsurpassed durability.**

**Extra header-stiffening plate, eliminates common leaks.**

**More reliable**

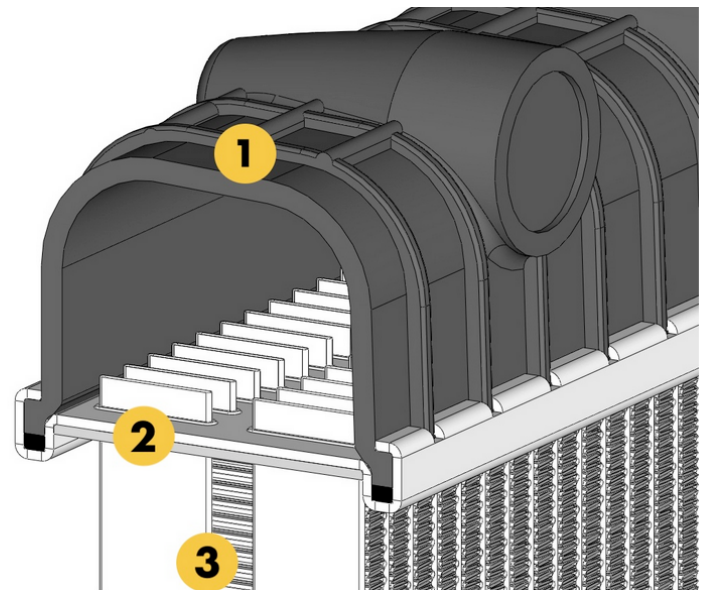
## Reinforced headers and an extra stiffening plate

We use reinforced headers and an extra stiffening plate, which prevents leaks from happening between the tank and header and tubes and header. Our thicker, stronger, and more flexible tanks and reinforced headers ensure that our radiators remain durable and last for longer.

**More efficient**

## Higher efficiency core design and reinforced tubes

Our heavy-duty semi-truck radiators have a higher efficiency core design and reinforced tubes so that there is extra strength where it is needed. Dura-Lite headers include extra deep crimp tabs, reinforced tank crimp area on the tanks and extra stainless-steel outer crimp strips used to reinforce applications with traditional style crimp designs.



1. STRONGER FIBER-REINFORCED TANK
2. REINFORCED HEADERS AND EXTRA HEADER-STIFFENING PLATE
3. HIGH EFFICIENCY CORE DESIGN AND REINFORCED HEAVY-GAUGE TUBES

VISIT MANUFACTURER'S WEBSITE (USA DEALERS) (<https://www.duralite.net/>)

VISIT MANUFACTURER'S WEBSITE (CANADA DEALERS) (<https://can.duralite.net/>)

## Product Highlights

### Extra header stiffing plate

Eliminates the majority of leaks between the tank and header

### Heavier, stronger headers for unsurpassed durability



---

100% leak tested before leaving the factory

**Top Movers - Dura-Lite Radiators (PT)**



DTNA Part #	Description	Make, Model, Year
DHT FR1322002BPT	Dura-Lite™ Radiator - No Frame - Oil Cooler (1 Year Warranty)	FREIGHTLINER CASCADIA 2012-2019, M2 112 2013-2018 and M2 2013-2018, WESTERN STAR 5700 2016-2018 and 5700XE 2016-2018
DHT FR1319002BPT	Dura-Lite™ Radiator - No Frame - Oil Cooler (1 Year Warranty)	FORD (STERLING) ACTERRA 2008-2009, FREIGHTLINER M2 100 2006-2010, M2 106 2008-2019 and M2 2006-2019
DHT FR1324002BPT	Dura-Lite™ Radiator - No Frame - Oil Cooler (1 Year Warranty)	FREIGHTLINER 122SD 2008-2013 and CORONADO 2008-2015, WESTERN STAR 4900 2008-2015, 4900EX 2008-2015, 4900FA 2008-2015 and 4900SA 2008-2015
DHT FR1330002BPT	Dura-Lite™ Radiator - No Frame - Oil Cooler (1 Year Warranty)	FREIGHTLINER M2 100 2008-2018, M2 106 2008-2018 and M2 2008-2018
DHT FR1321002BPT	Dura-Lite™ Radiator - No Frame - Oil Cooler (1 Year Warranty)	FORD (STERLING) A9500 2006-2013, AT9500 2006-2013, L9500 2006-2013 and LT9500 2006-2013, FREIGHTLINER 114SD 2012-2014, CASCADIA 2006-2013, COLUMBIA 2006-2013, CORONADO 2012-2014, FLD 2006-2013, M2 112 2006-2013 and M2 2006-2013
DHT FR1306002PT	Dura-Lite™ Radiator - No Frame (1 Year Warranty)	FREIGHTLINER CENTURY 2003-2008, COLUMBIA 2003-2008, D2 2003-2008, FLD 120 2003-2008, FLX 2003-2008, M2 106 2003-2012 and M2 2003-2012
DHT FR1318002BPT	Dura-Lite™ Radiator - No Frame - Oil Cooler (1 Year Warranty)	FREIGHTLINER CASCADIA 2007-2014, CENTURY 2007-2014 and COLUMBIA 2007-2014
DHT FR1301002PT	Dura-Lite™ Radiator - No Frame (1 Year Warranty)	FORD (STERLING) ACTERRA 1997-2006 and MILITARY 1997-2006, FREIGHTLINER CENTURY 120 1997-2006, CENTURY 1997-2006, COLUMBIA 1997-2006, D2 1997-2006, FL 112 1997-2006, FL 1997-2006, FL 50 1997-2006, FL 60 1997-2006, FL 70 1997-2006, FL 80 1997-2006, FL 90 1997-2006, FLD 120 1997-2006, FLD 1997-2006, FLX 1997-2006, LC 1997-2006, M2 106 1997-2007, M2 1997-2007 and MILITARY 1997-2007
DHT FR1303002PT	Dura-Lite™ Radiator - No Frame (1 Year Warranty)	FORD (STERLING) 9500 2002-2008, FREIGHTLINER CASCADIA 2002-2008, CLASSIC XL 2002-2008, CORONADO 2002-2008, FLD 2002-2008, FLD D2 2002-2008 and LC 2002-2008
DHT FR1331002BPT	Dura-Lite™ Radiator - No Frame - Oil Cooler (1 Year Warranty)	FREIGHTLINER CASCADIA 2017-2021
DHT FR1316002BPT	Dura-Lite™ Radiator - No Frame - Oil Cooler (1 Year Warranty)	FREIGHTLINER CASCADIA 125 2008-2014, CASCADIA 2008-2014, CENTURY 2006-2010, COLUMBIA 2006-2010 and PX125064ST 2008-2014
DHT VO1407002BPT	Dura-Lite™ Radiator - No Frame - Oil Cooler (1 Year Warranty)	MACK CT 2008-2016, CV 2008-2016, CX613 2008-2017, CXU 2008-2017, GRANITE 2008-2016, PINNACLE 2007-2015 and VISION 2008-2016, VOLVO VN 2008-2016, VNL 2008-2018, VNM 2008-2018, VNR 2018 and VNX 2015-2017
DHT KE1207002PT	Dura-Lite™ Radiator - No Frame (1 Year Warranty)	KENWORTH T800 2008-2023 and T880 2014-2016, PETERBILT 335 2008-2010, 365 2008-2015, 367 2008-2015, 567 2013-2022, 587 2008-2011 and 587 EXHD 2008-2011
DHT PE1010002PT	Dura-Lite™ Radiator - No Frame (1 Year Warranty)	KENWORTH W900 2008-2015, PETERBILT 365 2011-2012, 367 2011-2015, 379 2008-2011, 388 2008-2015, 389 2008-2015 and 567 2014-2015
DHT KE1209002PT	Dura-Lite™ Radiator - No Frame (1 Year Warranty)	KENWORTH T880 2018-2021, PETERBILT 579 2018-2021
DHT PE1011002PT	Dura-Lite™ Radiator - No Frame (1 Year Warranty)	KENWORTH T2000 2008-2014, T680 2008-2017, T700 2011-2014 and T880 2008-2014, PETERBILT 365 2008-2014, 367 2008-2014, 387 2008-2014, 567 2014-2018, 579 2013-2016 and 587 2008-2016
DHT KE1206002PT	Dura-Lite™ Radiator - No Frame (1 Year Warranty)	KENWORTH T660 2006-2016, T880 2014-2021, W900 2008-2022 and W900L 2008-2022
DHT PE1007P002PT	Dura-Lite™ Radiator - No Frame - PTO Hole (1 Year Warranty)	CURBTENDER CURBTENDER (WITH FRONT PTO) 2004-2017, GARBAGE TRUCK (WITH FRONT PTO) 2004-2017, REFUSE TRUCK (WITH FRONT PTO) 2004-2017 and SANITATION TRUCK (WITH FRONT PTO) 2004-2017, KENWORTH GARBAGE TRUCK (WITH FRONT PTO) 2004-2017, REFUSE TRUCK (WITH FRONT PTO) 2004-2017, SANITATION TRUCK (WITH FRONT PTO) 2004-2017 and T660 (WITH FRONT PTO) 2004-2017, PETERBILT 320 (WITH FRONT PTO) 2004-2017, 520 (WITH FRONT PTO) 2004-2017, GARBAGE TRUCK (WITH FRONT PTO) 2004-2017, REFUSE TRUCK (WITH FRONT PTO) 2004-2017, SANITATION TRUCK (WITH FRONT PTO) 2004-2017
DHT PE1012002PT	Dura-Lite™ Radiator - No Frame (1 Year Warranty)	KENWORTH T200 2011-2016, T300 2011-2016 and T370 2011-2014; PETERBILT 330 2011-2016, 337 2011-2016 and 348 2011-2016
DHT IH1129002BPT	Dura-Lite™ Radiator - No Frame - Oil Cooler (1 Year Warranty)	INTERNATIONAL (NAVISTAR) HV 2019-2021, HV507 2019-2021, HV513 2019-2021, HV607 2019-2021, HV613 2019-2021, HX515 2017-2021, HX520 2018-2021, HX615 2017-2021, HX620 2017-2021, LT 2017-2021, LT625 2017-2021, PROSTAR 2018-2021, RH 2017-2021 and RH613 2017-2021
DHT KE1213002PT	Dura-Lite™ Radiator - No Frame (1 Year Warranty)	KENWORTH C500 2007-2015, T600 2007-2017 and T800 2007-2017
DHT PE1009002PT	Dura-Lite™ Radiator - No Frame (1 Year Warranty)	KENWORTH T400 2011-2021 and W900 2008-2021, PETERBILT 384 2008-2021, 386 2008-2021 and 587 2008-2011



---

Dura-Lite™ offers a number of different heat transfer solutions. Our professionally certified engineers can also custom design Charge Air Coolers, Oil Coolers, Radiators, and Radiator/ Charge Air Cooler Cooling Modules for any application.

## Warranty Information

### 1 year warranty on Dura-Lite radiators.

DURA-LITE PRODUCT REGISTRATION (<https://www.duralite.net/pages/product-registration>)

Last updated: Monday, 22 April 2024 12:04 PM

[^Back to Top](#)

Copyright © Daimler Truck North America LLC. [Privacy Statement, Legal Notices and Terms \(https://daimler-trucksnorthamerica.com/privacy-policy\)](https://daimler-trucksnorthamerica.com/privacy-policy).

All rights reserved. Daimler Truck North America LLC is a [Daimler \(http://www.daimler.com/\)](http://www.daimler.com/) company.

---

