



ModuLT[®] Gen II



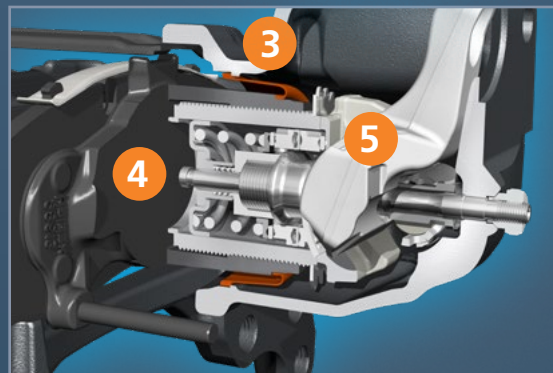
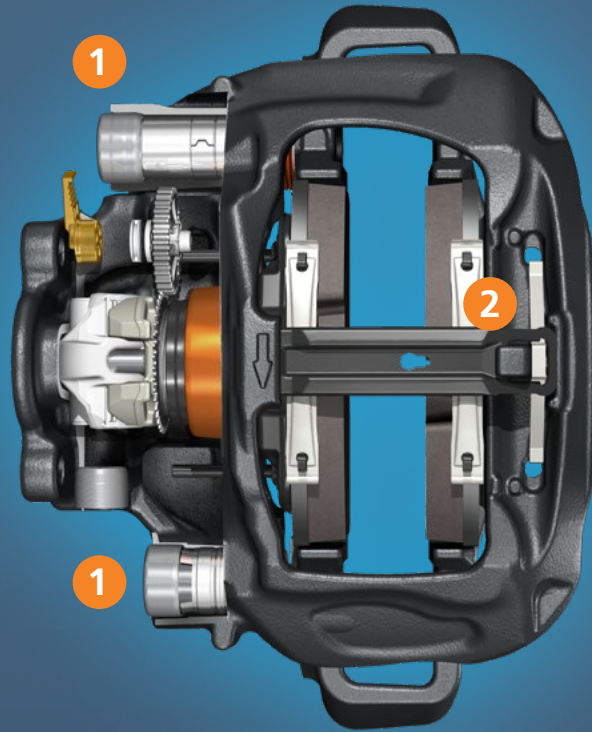
ModuLT[®] Gen II DBT22LT Trailer Air Disc Brake



Robust, reliable performance in a brilliantly simple design.

The light-weight ModuLT® Gen II is a long-term option to the trailer air disc brake market, providing ease of maintenance, more uptime and lower operating costs.

- 1 Lube-free, stainless-steel pins and PTFE coated steel bushings eliminate seizing risk and increase service life
- 2 Simplified maintenance features include the secure, boltless pad retainer
- 3 Inverted bellows for protection from heat and debris
- 4 Large-diameter, single-piston and integrated thrust plate provide uniform force distribution, eliminating uneven pad wear
- 5 Haldex industry-leading brake adjuster technology provides unmatched reliability



Calipers						
Aftermarket Part Number	Description	Side	With Carrier	With Pads	Bolt Pattern	
790-H108542	DBT22LT RH W/CR W/P STD	Right	Yes	Yes	Std, 63MM/2.48"	
790-H108541	DBT22LT LH W/CR W/P STD	Left	Yes	Yes	Std, 63MM/2.48"	
790-H108587	DBT22LT RH W/CR W/P WD	Right	Yes	Yes	Wide, 84MM/3.30"	
790-H108589	DBT22LT LH W/CR W/P WD	Left	Yes	Yes	Wide, 84MM/3.30"	
790-H108584	DBT22LT RH W/CR W/P STD NSTDOS	Right	Yes	Yes	Std, 63MM/2.48"	
790-H108586	DBT22LT LH W/CR W/P STD NSTDOS	Left	Yes	Yes	Std, 63MM/2.48"	

ModuLT[®] Gen II

- 1) Pad retainer
- 2) Pad springs
- 3) Pads
- 4) Spring bracket
- 5) Small cup
- 6) Slide pin bolts/screws
- 7) Leading slide pin
- 8) Leading pin bearing
- 9) Leading pin spacer
- 10) Reset shaft
- 11) Trailing slide pin
- 12) Trailing composite bushing
- 13) Brake caliper
- 14) Slide pin bellows
- 15) Carrier
- 16) Mechanism bellows
- 17) Thrust plate
- 18) Large cup
- 19) Reset shaft protection plug



Repair kits and tools

Part Number	Description	Includes
790-22116	Pad Accessory Kit	2 pad springs, 1 pad retainer, 1 spring bracket, 1 reset shaft protection plug
790-22117	Axle Pad Kit	4 384 copper-free pads, 4 pad springs, 2 pad retainers, 2 spring brackets, 2 reset shaft protection plugs
790-98608	Single Wheel	2 384 copper-free pads, 2 pad springs, 1 pad retainer, 1 spring bracket, 1 reset shaft protection plug
790-95399	Mechanism Seal Kit	1 reset shaft protection plug, 1 mechanism bellows, 1 spring bracket, 1 grease tube
790-95397	Slide Function Seal & Pin Kit	2 leading pin bearings, 1 leading pin spacer, 1 leading slide pin, 2 screws (M16x80), 1 small cup, 1 trailing composite bushing, 1 trailing slide pin, 1 large cup, 1 reset shaft protection plug, 2 slide pin bellows, 1 spring bracket
790-95398	Reset Shaft/Adjuster Kit	1 reset shaft protection plug, 1 mechanism bellows, 1 spring bracket, 1 grease tube
790-95668	6-Bolt Standard Carrier Kit	1 carrier and all parts listed in the Slide Function Seal & Pin Kit (790-95397)
790-95511	6-Bolt Wide Carrier Kit	1 carrier and all parts listed in the Slide Function Seal & Pin Kit (790-95397)
790-98512	6-Bolt Non-standard Offset Carrier Kit	1 carrier and all parts listed in the Slide Function Seal & Pin Kit (790-95397)
790-95231	Tool Box Kit	1 mandrel, 1 nut, 1 reinstall washer, 1 cup for slide function bearing, 3 mounting tools for the mechanism bellow, 1 3/4" drive, long reach, 14mm, 1 3/8" drive Torx T55 for the reset shaft, 1 special tool for removing the reset shaft complete, 1 threaded spindle for pull in/pull out tools, 1 axial bearing for use with the threaded bar
790-22118	Thrust Plate Rebuild Kit	1 Gen II DBT22LT thrust plate, 1 mechanism bellows, 1 spring bracket, 1 reset shaft plug, 1 tube grease

Haldex innovation means exceptional performance.

A proven design, the ModulT® Gen II delivers twin-piston performance with a single-piston caliper mechanism.

- Brake force supports up to 23,000 lb. gross axle weight rating
- Powerful performance in the lightest trailer brake on the market
- Robust design keeps you on the road longer
- Quick, easy maintenance means more uptime

Gen II is lighter, stronger and more secure:

- Weight 65.3 lb.
- Weight reduction of 3.3 lb.
- Copper-free pads
- Improved pad retention
- Caliper housing strength improvements

Haldex has you covered after the sale.

ModulT Standard Warranties

Line-haul

60 months or 500,000 miles, whichever occurs first.

Severe duty – Construction, Refuse, Logging, Off-Highway, etc.

24 months or 100,000 miles, whichever occurs first.

Note: All components are warranted to be free from defect in material or workmanship for one year from service. Additional coverage applies to the caliper, carrier and application mechanism.

Contact your Haldex sales professional to learn more.



haldex.com

To learn more, visit haldex.com
Haldex, Midland and Like-Nu
are SAF-HOLLAND Group brands



L20006
R10/23 P10/23 1M ALP
Printed in the USA