



Alliance Starters and Alternators

2024

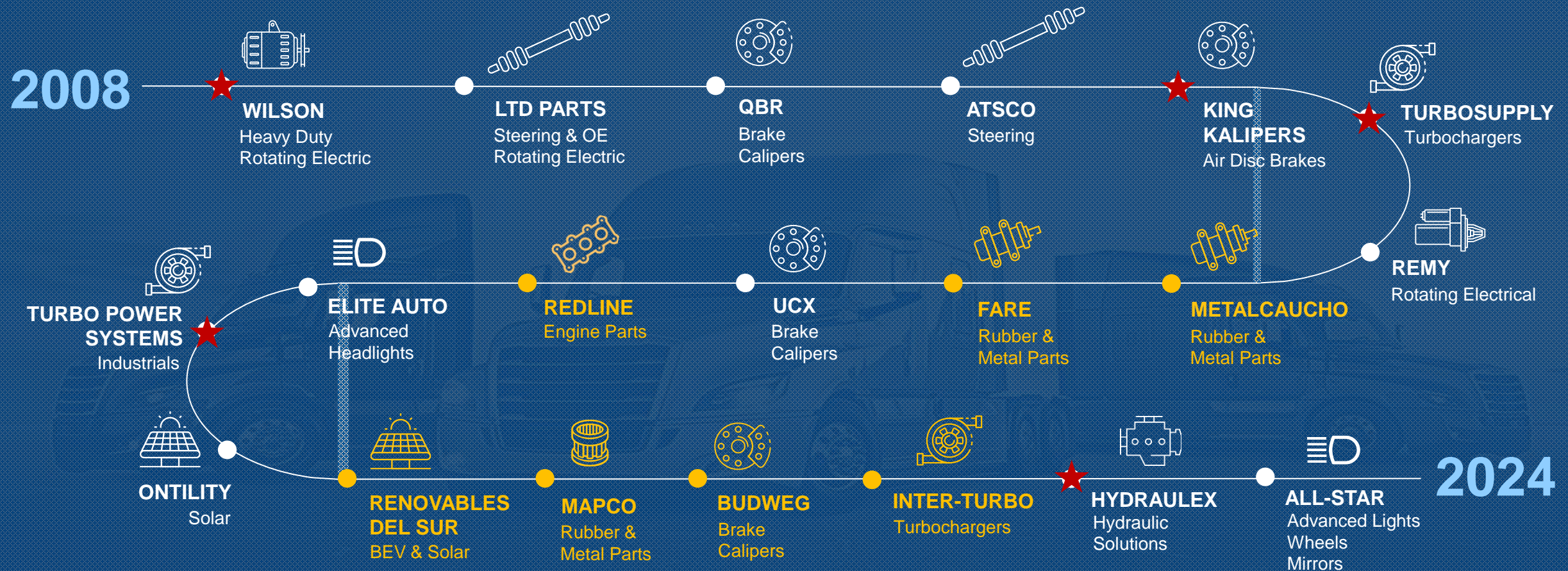
- 1 Supplier Introduction**
- 2 Product Features and Benefits**
- 3 Resources**

Starters and Alternators Program - Vendor

ABOUT BBB

Over 80 Years of Experience Remanufacturing Alternators and Starters

- Founded in **1987** and headquartered in Daphne, Alabama, **BBB Industries** is an **award-winning leader** in the development, production and distribution of **new and remanufactured parts** for the **automotive, heavy duty, and power sports aftermarkets**. Since 2008 BBB Industries has grown rapidly through acquisitions.



Starters and Alternators Program - What

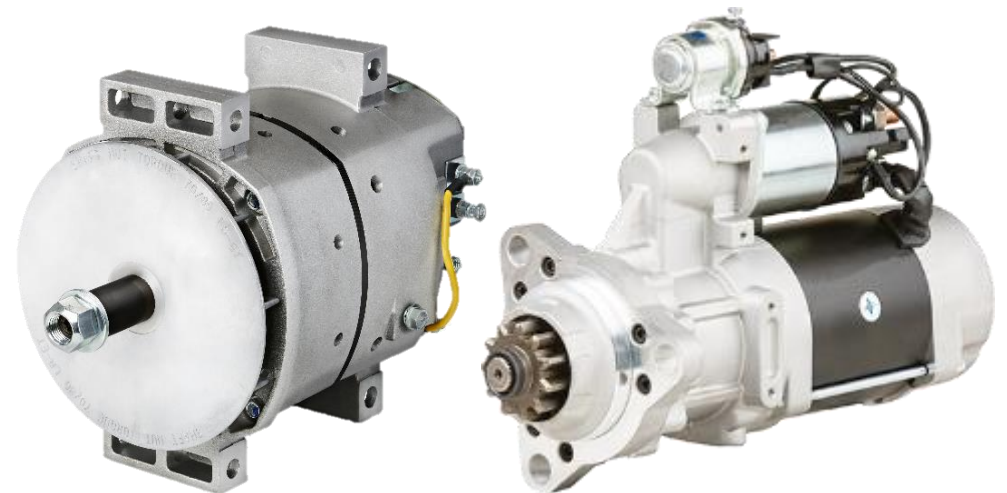
- ❑ **33 Remanufactured Alternator and 19 Remanufactured Starter SKUS**
- ❑ **Covering the most popular Direct OES applications DTNA and All-Makes including Navistar, Kenworth, Peterbilt, Mack, Volvo, Bluebird and many more!**
 - On-road & Off-road Trucks
 - Buses
 - Lift Trucks
 - Construction Equipment
 - Agricultural Equipment
 - Forestry Equipment
 - Marine Equipment
- ❑ **Internal components are remanufactured to meet or exceed OE Specifications**
- ❑ **All Products are remanufactured in ISO 9001-2015 Certified Facilities**



Starters and Alternators Program – Features and Benefits

	FEATURES	BENEFITS
Increased Durability	Every unit is remanufactured to OE specs, making it better than rebuilt, and more cost effective than OE	Substantial Cost Savings Over OE New
High Efficiency	Extensive quality testing with end-of-line testing and test results readily available upon request	Ensures Each Unit Performs To OE Specs Or Better
Reliable Performance	Wearable components are replaced and reassembled with 100% new OE quality equivalents	Highest Quality
Enhanced Lifespan	Analysis of OE units in State-of-the-art R&D and endurance testing labs	Enhancements and Improved Performance

NO HASSLE CORE RETURN!
Simply like for like part numbers



Alternators Program – Product Features

HD ALTERNATOR MOUNTING CONFIGURATIONS



QUAD MOUNT

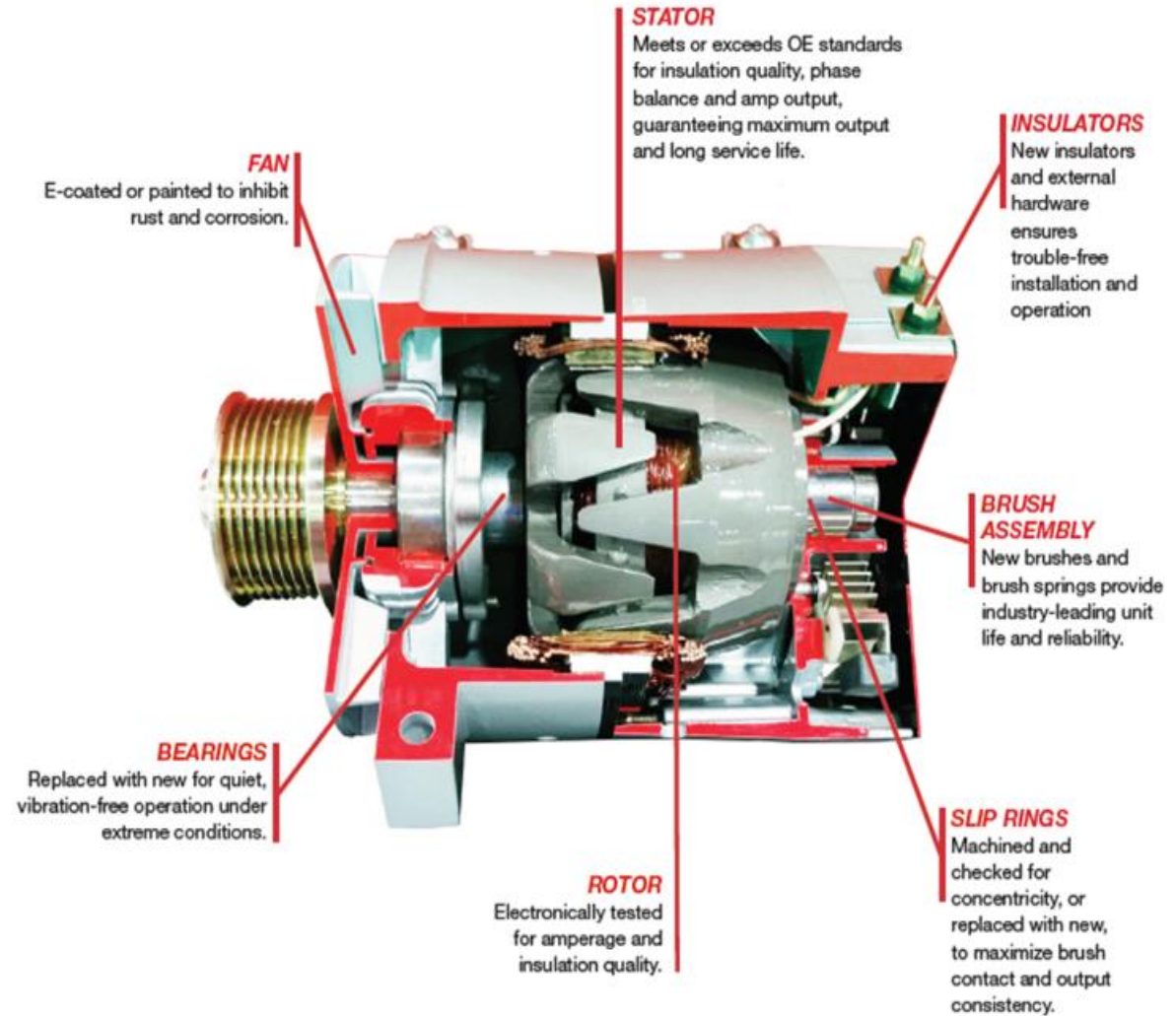


J180, SAE, DUAL FOOT



PAD MOUNT

ALTERNATOR INTERNAL COMPONENTS



Starters Program – Product Features



HD STARTER MOUNTING CONFIGURATIONS



OPEN NOSE ROTATABLE

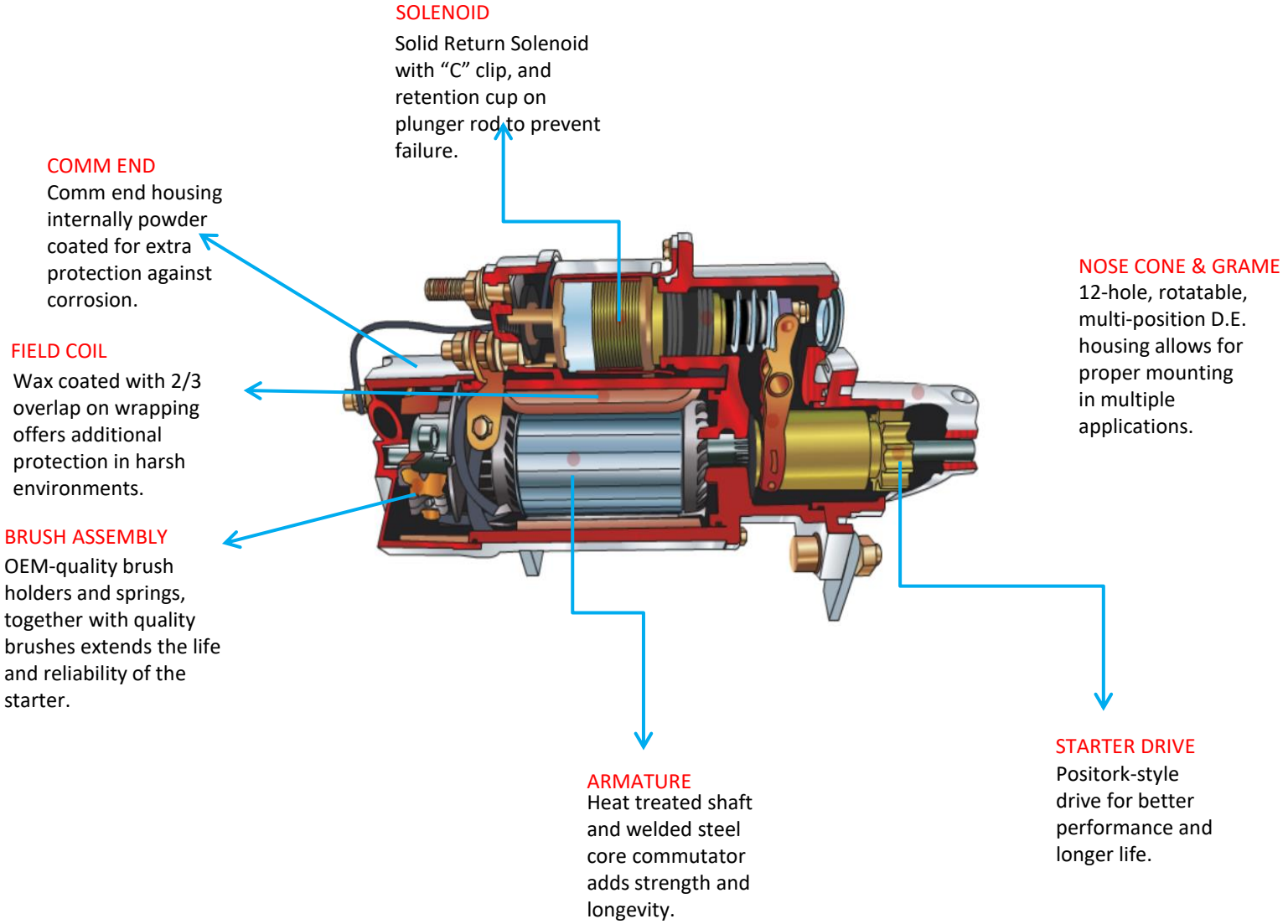


OPEN NOSE NON-ROTATABLE



CLOSED NOSE ROTATABLE

STARTER INTERNAL COMPONENTS



DURABILITY TEST

- Alliance products meet or exceed OE requirements
- 425K alternator and starters produced each year
- 59000+ test hours annually



Vibration, Heat, Cold, Sand, Dust, and Salt Spray Endurance Testing

ALLIANCE ADVANTAGES

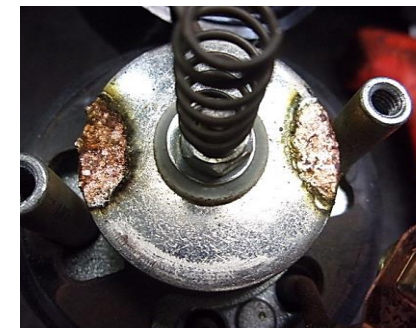
Components used allow alternator unit to run more than **500 hours** above competitive units and starters to run more than **1,500 cranks** above competitive units during in-house testing

Benchmarking:

Alliance alternator ran for **847+** hours while competitive unit failed at **254** hours



Alliance starter ran for **16,000+** cranks while competitive unit failed at **14,841** cranks



Starters and Alternators Program - Testing



ALTERNATOR 100% End-of-Line Testing

- Accurately and completely checks & tests all alternators with or without built-in voltage regulator
- Performance testing includes 50 different parameters all measured at low to high RPM speeds at predetermined lengths.



STARTER 100% End-of-Line Testing

- Under varying load conditions, 25 different parameters are measured to ensure all starters meet or exceed OEM specifications.



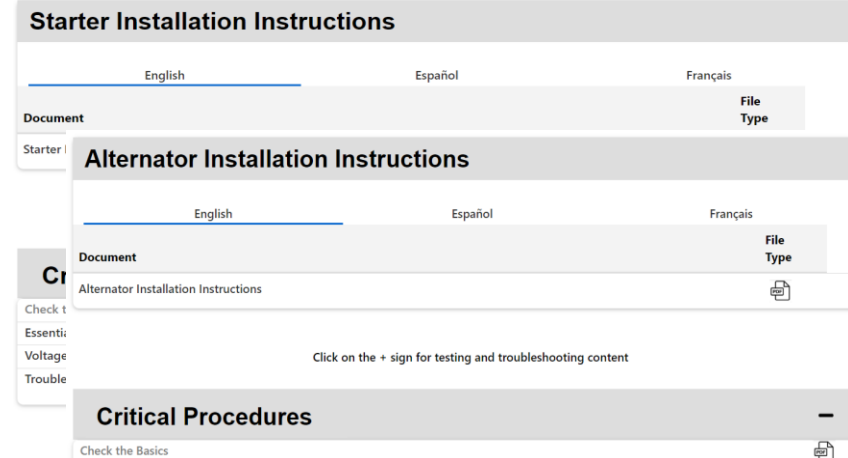
SEAL TEST

- All hydraulic clutch type flywheel starters are *SEAL TESTED*
- Additionally, 100% of Delco 30MT to 50MT units are seal tested

Testing report label included on every part that leaves the factory.



QR code label included on all units which directs user to TSB and instructions

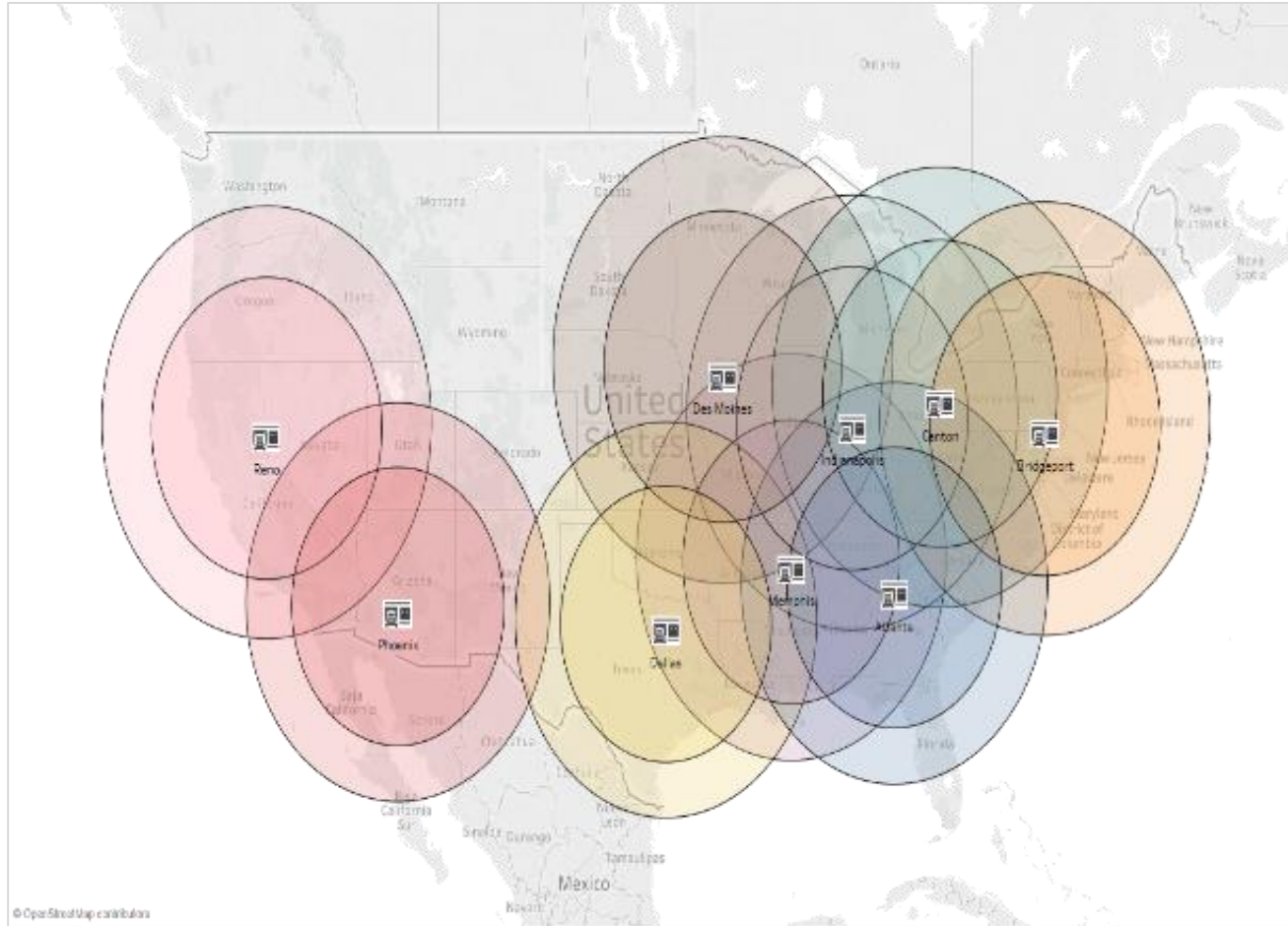


NO HASSLE CORE RETURN! Simply like for like part numbers

SIMPLY:

- ❑ Ensure the part is the same as the replacement that was purchased
- ❑ Ensure unit is complete
 - No missing parts
- ❑ Ensure units are not destroyed from:
 - Fire
 - Excessive Corrosion





- ❑ Stocked though out DTNA PDC's in the US and Canada.
- ❑ Network inventory (~3 months)
- ❑ Supplier inventory (3 months)
- ❑ Order quantity: MOQ (1)

AVAILABLE FROM ALLIANCE™

REMANUFACTURED STARTERS & ALTERNATORS

The Alliance starter and alternator line is engineered for durability and reliability across a wide range of heavy-duty applications. Built to exceed OE specifications for quality, fit and function, these components undergo rigorous testing, with wearable parts replaced by 100% new OE quality equivalents as needed. Featuring superior thermal management, Alliance starters and alternators are designed to withstand the higher temperatures in EPA emissions-compliant engines, ensuring maximum efficiency, and ease of installation.

Components undergo rigorous testing with wearable parts often replaced.

- Alternator bearings, brushes and brush springs are replaced with new
- Rotors are electronically tested for amperage in insulation quality or replaced with new
- Rotor slip rings are machined and checked for concentricity or replaced with new
- Stators are tested for insulation quality, phase balance, and amp output or replaced with New
- Regulators are electronically tested to OE specifications or replaced with New

All starter units are tested to measure torque, power, speed and voltage, with reports available.

- Field coils are inspected, tested for insulation weakness/leakage, and wrapped for solid insulation.
- Solenoids are electronically tested for amperage for Hold-In and Pull-In current.
- Armatures are cleaned, inspected, and tested for insulation leakage, commutators are machined/polished and checked for run-out

Scan this QR Code to visit DTNA PartsCap for more information on Alliance Starters and Alternators



DTNA Parts

Specifications are subject to change without notice. Copyright © Daimler Truck North America LLC. All rights reserved. DTNA Parts and Alliance Parts are brands of Daimler Truck North America.

STARTERS

REPAIR & REPLACEMENT

Alliance starters are designed for customers who demand reliability and performance. Alliance premium re-manufactured starter installs quickly and easily, and provides cranking performance you can count on.

FEATURES, BENEFITS AND HIGHLIGHTS

- Alliance remanufactured starters meet or exceed OE Standards - these are remanufactured with in-process inspections/tests throughout the production process
- Component parts are gauged, sorted, tested while vital parts are replaced 100% NEW
- Starter bushings, brushes and brush springs are replaced with New
- Field coils are inspected, tested for insulation weakness/leakage, and wrapped for solid insulation
- Solenoids are electronically tested for amperage for Hold-In and Pull-In current
- Armatures are cleaned, inspected, tested for insulation leakage, commutators machined/polished and checked for run-out
- All starter units are tested to measure torque, power, speed and voltage, with reports enclosed with the product.

ALTERNATORS

REPAIR & REPLACEMENT

Alliance alternators are designed for customers who demand reliability and performance. Alliance premium re-manufactured alternator installs quickly and easily, and provides cranking performance you can count on.

FEATURES, BENEFITS AND HIGHLIGHTS

- Alliance remanufactured alternators meet or exceed OE Standards- these are remanufactured with in-process inspections/tests throughout the production process
- Alternator bearings, brushes and brush springs are replaced with NEW
- Rotors are electronically tested for amperage in insulation quality or replaced with NEW
- Rotor slip rings are machined and checked for concentricity or replaced with NEW
- Stators are tested for insulation quality, phase balance and amp output or replaced with NEW
- Regulators are electronically tested to OE specifications or replaced with NEW
- All alternator units are performance tested to measure output curves, turn on speed and other critical specifications with test reports enclosed with the product.

TOP MOVERS

Alliance P/N	OE P/N	DESCRIPTION	APPLICATION
AMP 1010 251101401	251101401	ALTERNATOR 60 AMP 2500 RPM 12V 140A-170A	1997-2007 FORD/VEHICLE INTERNATIONAL, KENWORTH, MAN, PETERBILT, VOLVO, WESTMAN STAR
AMP 1010 251101402	251101402	ALTERNATOR 60 AMP 2500 RPM 12V 140A-170A	1997-2007 FORD/VEHICLE INTERNATIONAL, KENWORTH, MAN, PETERBILT, VOLVO, WESTMAN STAR
AMP 1010 251101403	251101403	ALTERNATOR 60 AMP 2500 RPM 12V 140A-170A	1997-2007 FORD/VEHICLE INTERNATIONAL, KENWORTH, MAN, PETERBILT, VOLVO, WESTMAN STAR
AMP 1010 251101404	251101404	ALTERNATOR 60 AMP 2500 RPM 12V 140A-170A	1997-2007 FORD/VEHICLE INTERNATIONAL, KENWORTH, MAN, PETERBILT, VOLVO, WESTMAN STAR
AMP 1010 251101405	251101405	ALTERNATOR 60 AMP 2500 RPM 12V 140A-170A	1997-2007 FORD/VEHICLE INTERNATIONAL, KENWORTH, MAN, PETERBILT, VOLVO, WESTMAN STAR
AMP 1010 251101406	251101406	ALTERNATOR 60 AMP 2500 RPM 12V 140A-170A	1997-2007 FORD/VEHICLE INTERNATIONAL, KENWORTH, MAN, PETERBILT, VOLVO, WESTMAN STAR
AMP 1010 251101407	251101407	ALTERNATOR 60 AMP 2500 RPM 12V 140A-170A	1997-2007 FORD/VEHICLE INTERNATIONAL, KENWORTH, MAN, PETERBILT, VOLVO, WESTMAN STAR
AMP 1010 251101408	251101408	ALTERNATOR 60 AMP 2500 RPM 12V 140A-170A	1997-2007 FORD/VEHICLE INTERNATIONAL, KENWORTH, MAN, PETERBILT, VOLVO, WESTMAN STAR
AMP 1010 251101409	251101409	ALTERNATOR 60 AMP 2500 RPM 12V 140A-170A	1997-2007 FORD/VEHICLE INTERNATIONAL, KENWORTH, MAN, PETERBILT, VOLVO, WESTMAN STAR
AMP 1010 251101410	251101410	ALTERNATOR 60 AMP 2500 RPM 12V 140A-170A	1997-2007 FORD/VEHICLE INTERNATIONAL, KENWORTH, MAN, PETERBILT, VOLVO, WESTMAN STAR
AMP 1010 251101411	251101411	ALTERNATOR 60 AMP 2500 RPM 12V 140A-170A	1997-2007 FORD/VEHICLE INTERNATIONAL, KENWORTH, MAN, PETERBILT, VOLVO, WESTMAN STAR
AMP 1010 251101412	251101412	ALTERNATOR 60 AMP 2500 RPM 12V 140A-170A	1997-2007 FORD/VEHICLE INTERNATIONAL, KENWORTH, MAN, PETERBILT, VOLVO, WESTMAN STAR
AMP 1010 251101413	251101413	ALTERNATOR 60 AMP 2500 RPM 12V 140A-170A	1997-2007 FORD/VEHICLE INTERNATIONAL, KENWORTH, MAN, PETERBILT, VOLVO, WESTMAN STAR
AMP 1010 251101414	251101414	ALTERNATOR 60 AMP 2500 RPM 12V 140A-170A	1997-2007 FORD/VEHICLE INTERNATIONAL, KENWORTH, MAN, PETERBILT, VOLVO, WESTMAN STAR
AMP 1010 251101415	251101415	ALTERNATOR 60 AMP 2500 RPM 12V 140A-170A	1997-2007 FORD/VEHICLE INTERNATIONAL, KENWORTH, MAN, PETERBILT, VOLVO, WESTMAN STAR
AMP 1010 251101416	251101416	ALTERNATOR 60 AMP 2500 RPM 12V 140A-170A	1997-2007 FORD/VEHICLE INTERNATIONAL, KENWORTH, MAN, PETERBILT, VOLVO, WESTMAN STAR
AMP 1010 251101417	251101417	ALTERNATOR 60 AMP 2500 RPM 12V 140A-170A	1997-2007 FORD/VEHICLE INTERNATIONAL, KENWORTH, MAN, PETERBILT, VOLVO, WESTMAN STAR
AMP 1010 251101418	251101418	ALTERNATOR 60 AMP 2500 RPM 12V 140A-170A	1997-2007 FORD/VEHICLE INTERNATIONAL, KENWORTH, MAN, PETERBILT, VOLVO, WESTMAN STAR
AMP 1010 251101419	251101419	ALTERNATOR 60 AMP 2500 RPM 12V 140A-170A	1997-2007 FORD/VEHICLE INTERNATIONAL, KENWORTH, MAN, PETERBILT, VOLVO, WESTMAN STAR
AMP 1010 251101420	251101420	ALTERNATOR 60 AMP 2500 RPM 12V 140A-170A	1997-2007 FORD/VEHICLE INTERNATIONAL, KENWORTH, MAN, PETERBILT, VOLVO, WESTMAN STAR
AMP 1010 251101421	251101421	ALTERNATOR 60 AMP 2500 RPM 12V 140A-170A	1997-2007 FORD/VEHICLE INTERNATIONAL, KENWORTH, MAN, PETERBILT, VOLVO, WESTMAN STAR
AMP 1010 251101422	251101422	ALTERNATOR 60 AMP 2500 RPM 12V 140A-170A	1997-2007 FORD/VEHICLE INTERNATIONAL, KENWORTH, MAN, PETERBILT, VOLVO, WESTMAN STAR
AMP 1010 251101423	251101423	ALTERNATOR 60 AMP 2500 RPM 12V 140A-170A	1997-2007 FORD/VEHICLE INTERNATIONAL, KENWORTH, MAN, PETERBILT, VOLVO, WESTMAN STAR
AMP 1010 251101424	251101424	ALTERNATOR 60 AMP 2500 RPM 12V 140A-170A	1997-2007 FORD/VEHICLE INTERNATIONAL, KENWORTH, MAN, PETERBILT, VOLVO, WESTMAN STAR
AMP 1010 251101425	251101425	ALTERNATOR 60 AMP 2500 RPM 12V 140A-170A	1997-2007 FORD/VEHICLE INTERNATIONAL, KENWORTH, MAN, PETERBILT, VOLVO, WESTMAN STAR
AMP 1010 251101426	251101426	ALTERNATOR 60 AMP 2500 RPM 12V 140A-170A	1997-2007 FORD/VEHICLE INTERNATIONAL, KENWORTH, MAN, PETERBILT, VOLVO, WESTMAN STAR
AMP 1010 251101427	251101427	ALTERNATOR 60 AMP 2500 RPM 12V 140A-170A	1997-2007 FORD/VEHICLE INTERNATIONAL, KENWORTH, MAN, PETERBILT, VOLVO, WESTMAN STAR
AMP 1010 251101428	251101428	ALTERNATOR 60 AMP 2500 RPM 12V 140A-170A	1997-2007 FORD/VEHICLE INTERNATIONAL, KENWORTH, MAN, PETERBILT, VOLVO, WESTMAN STAR
AMP 1010 251101429	251101429	ALTERNATOR 60 AMP 2500 RPM 12V 140A-170A	1997-2007 FORD/VEHICLE INTERNATIONAL, KENWORTH, MAN, PETERBILT, VOLVO, WESTMAN STAR
AMP 1010 251101430	251101430	ALTERNATOR 60 AMP 2500 RPM 12V 140A-170A	1997-2007 FORD/VEHICLE INTERNATIONAL, KENWORTH, MAN, PETERBILT, VOLVO, WESTMAN STAR
AMP 1010 251101431	251101431	ALTERNATOR 60 AMP 2500 RPM 12V 140A-170A	1997-2007 FORD/VEHICLE INTERNATIONAL, KENWORTH, MAN, PETERBILT, VOLVO, WESTMAN STAR
AMP 1010 251101432	251101432	ALTERNATOR 60 AMP 2500 RPM 12V 140A-170A	1997-2007 FORD/VEHICLE INTERNATIONAL, KENWORTH, MAN, PETERBILT, VOLVO, WESTMAN STAR
AMP 1010 251101433	251101433	ALTERNATOR 60 AMP 2500 RPM 12V 140A-170A	1997-2007 FORD/VEHICLE INTERNATIONAL, KENWORTH, MAN, PETERBILT, VOLVO, WESTMAN STAR
AMP 1010 251101434	251101434	ALTERNATOR 60 AMP 2500 RPM 12V 140A-170A	1997-2007 FORD/VEHICLE INTERNATIONAL, KENWORTH, MAN, PETERBILT, VOLVO, WESTMAN STAR
AMP 1010 251101435	251101435	ALTERNATOR 60 AMP 2500 RPM 12V 140A-170A	1997-2007 FORD/VEHICLE INTERNATIONAL, KENWORTH, MAN, PETERBILT, VOLVO, WESTMAN STAR
AMP 1010 251101436	251101436	ALTERNATOR 60 AMP 2500 RPM 12V 140A-170A	1997-2007 FORD/VEHICLE INTERNATIONAL, KENWORTH, MAN, PETERBILT, VOLVO, WESTMAN STAR
AMP 1010 251101437	251101437	ALTERNATOR 60 AMP 2500 RPM 12V 140A-170A	1997-2007 FORD/VEHICLE INTERNATIONAL, KENWORTH, MAN, PETERBILT, VOLVO, WESTMAN STAR
AMP 1010 251101438	251101438	ALTERNATOR 60 AMP 2500 RPM 12V 140A-170A	1997-2007 FORD/VEHICLE INTERNATIONAL, KENWORTH, MAN, PETERBILT, VOLVO, WESTMAN STAR
AMP 1010 251101439	251101439	ALTERNATOR 60 AMP 2500 RPM 12V 140A-170A	1997-2007 FORD/VEHICLE INTERNATIONAL, KENWORTH, MAN, PETERBILT, VOLVO, WESTMAN STAR
AMP 1010 251101440	251101440	ALTERNATOR 60 AMP 2500 RPM 12V 140A-170A	1997-2007 FORD/VEHICLE INTERNATIONAL, KENWORTH, MAN, PETERBILT, VOLVO, WESTMAN STAR
AMP 1010 251101441	251101441	ALTERNATOR 60 AMP 2500 RPM 12V 140A-170A	1997-2007 FORD/VEHICLE INTERNATIONAL, KENWORTH, MAN, PETERBILT, VOLVO, WESTMAN STAR
AMP 1010 251101442	251101442	ALTERNATOR 60 AMP 2500 RPM 12V 140A-170A	1997-2007 FORD/VEHICLE INTERNATIONAL, KENWORTH, MAN, PETERBILT, VOLVO, WESTMAN STAR
AMP 1010 251101443	251101443	ALTERNATOR 60 AMP 2500 RPM 12V 140A-170A	1997-2007 FORD/VEHICLE INTERNATIONAL, KENWORTH, MAN, PETERBILT, VOLVO, WESTMAN STAR
AMP 1010 251101444	251101444	ALTERNATOR 60 AMP 2500 RPM 12V 140A-170A	1997-2007 FORD/VEHICLE INTERNATIONAL, KENWORTH, MAN, PETERBILT, VOLVO, WESTMAN STAR
AMP 1010 251101445	251101445	ALTERNATOR 60 AMP 2500 RPM 12V 140A-170A	1997-2007 FORD/VEHICLE INTERNATIONAL, KENWORTH, MAN, PETERBILT, VOLVO, WESTMAN STAR
AMP 1010 251101446	251101446	ALTERNATOR 60 AMP 2500 RPM 12V 140A-170A	1997-2007 FORD/VEHICLE INTERNATIONAL, KENWORTH, MAN, PETERBILT, VOLVO, WESTMAN STAR
AMP 1010 251101447	251101447	ALTERNATOR 60 AMP 2500 RPM 12V 140A-170A	1997-2007 FORD/VEHICLE INTERNATIONAL, KENWORTH, MAN, PETERBILT, VOLVO, WESTMAN STAR
AMP 1010 251101448	251101448	ALTERNATOR 60 AMP 2500 RPM 12V 140A-170A	1997-2007 FORD/VEHICLE INTERNATIONAL, KENWORTH, MAN, PETERBILT, VOLVO, WESTMAN STAR
AMP 1010 251101449	251101449	ALTERNATOR 60 AMP 2500 RPM 12V 140A-170A	1997-2007 FORD/VEHICLE INTERNATIONAL, KENWORTH, MAN, PETERBILT, VOLVO, WESTMAN STAR
AMP 1010 251101450	251101450	ALTERNATOR 60 AMP 2500 RPM 12V 140A-170A	1997-2007 FORD/VEHICLE INTERNATIONAL, KENWORTH, MAN, PETERBILT, VOLVO, WESTMAN STAR

WARRANTY | Backed by the Alliance 1-year/unlimited-mile warranty* | **ALL MAKES AND MODELS!**

- ❑ Electronic Sales Sheets and cross-reference search by part number available
- ❑ Product packaging & labeling following Alliance Brand Guidelines
- ❑ Searchable via Excelerator
- ❑ Available in the Alliance App
- ❑ Priced to Compete!

Starter Program - Top Movers



Alliance P/N#	OE P/N#	DESCRIPTION	APPLICATION
ABP N15R 39MT11T1	8200308	STARTER RX DR 39MT PLGR 12V 7.3KW 11T	1987-2019 : AUTOCAR, BLUE BIRD, CASE, FORD, FREIGHTLINER, INTERNATIONAL, KENWORTH, MACK, NEW HOLLAND, PETERBILT, PIERCE MFG INC, STERLING, VAN HOOL, VOLVO, WESTERN STAR
ABP N15R 29MT10T1	19011400	STARTER NW DR 29MT PLGR 12V 3.3KW 10T	1989-2017 : BLUE BIRD, FREIGHTLINER, IC, KENWORTH, PETERBILT, STERLING
ABP N15R 39MT12T3	8200291	STARTER RX DR 39MT PLGR 12V 7.3KW 12T	1994-2007 : VOLVO
ABP N15R 39MT12T1	8200433	STARTER RX DR 39MT PLGR 12V 7.3KW 12T w/ Rotatable Mount	1994-2018 : AUTOCAR, BLUE BIRD, CATERPILLAR, FREIGHTLINER, IC, INTERNATIONAL, KENWORTH, MACK, PETERBILT, PIERCE MFG INC, STERLING, VAN HOOL, VOLVO, WESTERN STAR
ABP N15R 93592T1	93592	STARTER RX HI S13 OSGR 12V 2.2KW 9T	1996-2012 : CARRIER TRANSICOLD, THERMO KING
ABP N15R 39MT11T2	8200330	STARTER RX DR 39MT PLGR 24V 9.0KW 11T	1998-2016 : CASE, KENWORTH, MACK, MOTOR COACH, NEW HOLLAND, PREVOST
ABP N15R MOD39T	19011403	STARTER NW DR 29MT PLGR 12V 3.3KW 9T	2000-2010 : BLUE BIRD, FREIGHTLINER, STERLING, THOMAS BUILT BUS
ABP N15R MOD311T2	8200075	STARTER RX DR 38MT PLGR 12V 4.3KW 11T	2000-2010 : FREIGHTLINER, STERLING
ABP N15R MOD312T	8200287	STARTER RX DR 39MT PLGR 12V 7.3KW 12T	2001-2014 : FREIGHTLINER, STERLING, WESTERN STAR
ABP N15R 38MT12T1	8200005	STARTER RX DR 38MT PLGR 12V 4.3KW 12T	2002-2018 : BLUE BIRD, FREIGHTLINER, IC, INTERNATIONAL, PETERBILT, STERLING, WESTERN STAR
ABP N15R MOD311T3	10479299	STARTER RX DR 41MT DD 12V 5.0KW 11T w/OCP-	2003-2007 : STERLING
ABP N15R 41MT12T1	8200055	STARTER RX DR 41MT DD 12V 5.0KW 12T w/OCP-off set opening	2003-2009 : FREIGHTLINER
ABP N15R 38MT10T1	8200077	STARTER RX DR 38MT PLGR 12V 4.3KW 10T	2003-2019 : BLUE BIRD, CUMMINS, FORD, FREIGHTLINER, INTERNATIONAL, KENWORTH, PETERBILT
ABP N15R 39MT11T3	8200468	STARTER RX DR 39MT PLGR 12V 7.3KW 11T	2006-2018 : MACK, VOLVO
ABP N15R 29MT10T2	61005252	STARTER RX DR 29MT PLGR 12V 3.3KW 10T	2007-2018 : BLUE BIRD, FREIGHTLINER, INTERNATIONAL, THOMAS BUILT BUS, VAN HOOL
ABP N15R MOD312T1	8200434	STARTER RX DR 39MT PLGR 12V 7.3KW 12T	2008-2015 : FREIGHTLINER, PIERCE MFG INC, STERLING, VAN HOOL, WESTERN STAR
ABP N15R 39MT11T4	8200971	STARTER RX DR 39MT PLGR 12V 7.3KW 11T - 55mm Gear	2010-2018 : AUTOCAR, FREIGHTLINER, KENWORTH, MACK, PETERBILT, PIERCE MFG INC, VAN HOOL, VOLVO
ABP N15R MOD311T1	8201004	STARTER RX DR 39MT PLGR 12V 7.3KW 11T - 42mm gear	2010-2019 : FREIGHTLINER, PIERCE MFG INC, VAN HOOL, WESTERN STAR
ABP N15R 39MT12T2	8201100	STARTER RX DR 39MT PLGR 12V 7.3KW 12T	2013-2018 : MACK, VOLVO

Alternator Program – Top Movers



Alliance P/N#	OE P/N#	DESCRIPTION	APPLICATION
ABP N15R 35J1801401	8600064	ALTERNATOR RX DR 35SI IR/EF 12V 140A-J mount	1997-2007 : FREIGHTLINER, INTERNATIONAL, KENWORTH, MACK, PETERBILT, STERLING, VOLVO, WESTERN STAR
ABP N15R 35P1401	8600066	ALTERNATOR RX DR 35SI IR/EF 12V 140A-Pad Mount	1997-2013 : FREIGHTLINER, INTERNATIONAL, KENWORTH, PETERBILT, STERLING, VOLVO, WESTERN STAR
ABP N15R 36J1801701	8600126	ALTERNATOR RX DR 36SI IR/EF 12V 170A	1997-2017 : FREIGHTLINER, INTERNATIONAL, KENWORTH, PETERBILT, STERLING, VOLVO, WESTERN STAR
ABP N15R 36P1601	8600203	ALTERNATOR RX DR 36SI IR/EF 12V 170A	1997-2018 : BLUE BIRD, FREIGHTLINER, INTERNATIONAL, KENWORTH, MACK, PETERBILT, STERLING, VOLVO, WESTERN STAR
ABP N15R 36P1701	8600127	ALTERNATOR RX DR 36SI IR/EF 12V 170A	1997-2018 : BLUE BIRD, FREIGHTLINER, INTERNATIONAL, KENWORTH, MACK, PETERBILT, STERLING, VOLVO, WESTERN STAR
ABP N15R 22P1501	110 555PHO	ALTERNATOR RX MO 8LHP IR/EF 12V 160A	2000-2013 : FORD, FREIGHTLINER, MACK, PETERBILT, WESTERN STAR
ABP N15R 24J1801501	8600310	ALTERNATOR RX DR 24SI IR/IF 12V 160A, J mount	2000-2016 : BLUE BIRD, FORD, FREIGHTLINER, IC, INTERNATIONAL, KENWORTH, MACK, PETERBILT, WESTERN STAR, WILLMAR
ABP N15R 24P1601	8600889	ALTERNATOR RX DR 24SI IR/IF 12V 160A Pad mount	2000-2017 : BLUE BIRD, FORD, FREIGHTLINER, IC, INTERNATIONAL, KENWORTH, MACK, PETERBILT, STERLING, WESTERN STAR
ABP N15R 28P2001	8600314	ALTERNATOR RX DR 28SI IR/IF 12V 200A	2001-2019 : BLUE BIRD, CATERPILLAR, FORD, FREIGHTLINER, IC, INTERNATIONAL, KENWORTH, MACK, PETERBILT, STERLING, WESTERN STAR
ABP N15R 28P1602	8600315	ALTERNATOR RX DR 28SI IR/IF 12V 200A	2001-2019 : BLUE BIRD, CATERPILLAR, FORD, FREIGHTLINER, IC, INTERNATIONAL, KENWORTH, MACK, PETERBILT, STERLING, WESTERN STAR
ABP N15R 38P2151	8600707	ALTERNATOR RX DR 38SI IR/EF 12V 215A	2004-2015 : BLUE BIRD, FREIGHTLINER
ABP N15R 28J1801601	8600308	ALTERNATOR RX DR 28SI IR/IF 12V 180A	2008-2016 : BLUE BIRD, INTERNATIONAL
ABP N15R 28J1802001	8600307	ALTERNATOR RX DR 28SI IR/IF 12V 200A J mount LN style	2008-2016 : BLUE BIRD, INTERNATIONAL
ABP N15R 40P2751	8600094	ALTERNATOR RX DR 40SI IR/EF 12V 275A	2008-2018 : BLUE BIRD, FREIGHTLINER, INTERNATIONAL, KME, PETERBILT, WESTERN STAR
ABP N15R 40P3001	8600298	ALTERNATOR RX DR 40SI IR/EF 12V 300A	2008-2018 : BLUE BIRD, FREIGHTLINER, INTERNATIONAL, KME, PETERBILT, WESTERN STAR
ABP N15R 40P3201	8600628	ALTERNATOR RX DR 40SI IR/IF 12V 320A	2008-2018 : BLUE BIRD, FREIGHTLINER, INTERNATIONAL, KME, WESTERN STAR
ABP N15R 40P2401	8600338	ALTERNATOR RX DR 40SI IR/EF 12V 240A	2008-2018 : BLUE BIRD, FREIGHTLINER, INTERNATIONAL, PETERBILT, WESTERN STAR
ABP N15R 28P1601	8600201	ALTERNATOR RX DR 28SI IR/IF 12V 160A	2008-2018 : FREIGHTLINER, INTERNATIONAL, PETERBILT
ABP N15R 28P2002	8600253	ALTERNATOR RX DR 28SI IR/IF 12V 200A Pad mount	2008-2018 : FREIGHTLINER, INTERNATIONAL, PETERBILT
ABP N15R 40J1802751	8600280	ALTERNATOR RX DR 40SI IR/EF 12V 275A	For Freightliner International Mack and Volvo vehicles 40SI 12V 275A

BBB Industries:

Ryan Wilson

Director of Sales – Industrial CV

417.860.3541

rwilson@bbbind.com

Mark Weremy

Technical Product Manager

204.272.2880 ext. 5329

mweremy@bbbind.com

Randy Jarvis

N.A. Williams Company

269-823-5413

rjarvis@NAWilliams.com



THANK YOU!